

RIGHT OF WAY FENCE

Steel Chain Link Fence

GENERAL NOTES

- ① For each additional 1'-0" in height increase dimensions A₁ and A₂ by 1'-0".
- 2. Dimensions as shown are for 4'-0" fence.
- 3. For chain link type stream crossing or depression detail see Standard Drawing E 603-CLTF-02 for dimensions and installation.

TUBULAR POST CHART								
HEIGHT OF FENCE	GROUP 1				GROUP 2			
	< 6'		≥ 6'		< 6'		≥ 6'	
	NOM. DIA.	WEIGHT	NOM. DIA.	WEIGHT	NOM. DIA.	WEIGHT	NOM. DIA.	WEIGHT
	inches	lb/ft	inches	lb/ft	inches	lb/ft	inches	lb/ft
END, CORNER, AND PULL POSTS	2	3.65	2½"	5.79	2	3.12	2½"	4.64
LINE POSTS	1½"	2.27	2	3.65	1½"	1.84	2	3.12
BRACE	1½"	2.27	1½"	2.27	1½"	1.84	1½"	1.84

INDIANA DEPARTMENT OF TRANSPORTATION

CHAIN LINK TYPE FENCE

MARCH 2006

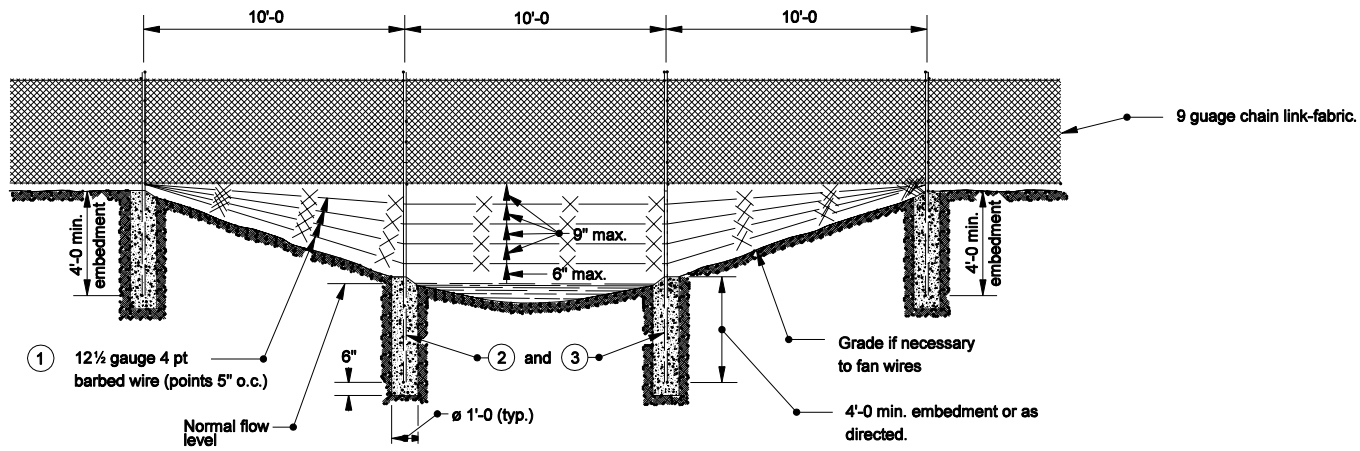
STANDARD DRAWING NO. E 603-CLTF-01

	/s/ Richard L. VanCleave	3-01-06
	DESIGN STANDARDS ENGINEER	DATE
	/s/ Richard K. Smutzer	3-01-06
	CHIEF HIGHWAY ENGINEER	DATE

DESIGN STANDARDS ENGINEER

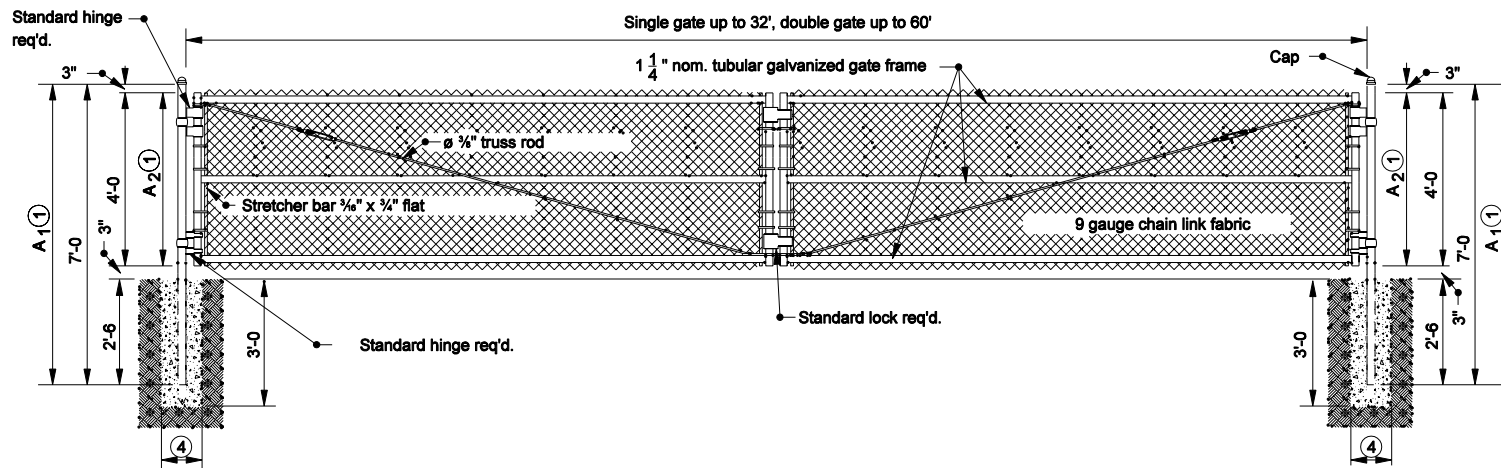
GENERAL NOTES

- ① This installation to be made only where directed. Barbed wire will not be required at points where such installation would cause the collecting of drift in the channel.
- ② Line posts of 9'-6 or longer for crossing shall be 2" nominal tubing or 3 x 3 x 1/4 angles and shall be set in concrete footings.
- ③ Extra length posts to be used as directed.



SECTION AT STREAM CROSSING OR DEPRESSION

INDIANA DEPARTMENT OF TRANSPORTATION	
CHAIN LINK TYPE FENCE	
SEPTEMBER 2004	
STANDARD DRAWING NO. E 603-CLTF-02	
	<i>/s/ Richard L. VanCleave</i> 9-01-04 DESIGN STANDARDS ENGINEER DATE
	<i>/s/ Richard K. Smutzer</i> 9-01-04 CHIEF HIGHWAY ENGINEER DATE
DESIGN STANDARDS ENGINEER	



CHAIN LINK GATE

GENERAL NOTES

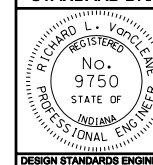
- ① For each additional 1'-0 in height increase dimension A₁ and A₂ by 1'-0.
2. See Standard Drawing E 603-CLTF-01 for the tubular post chart.
3. Dimensions as shown are for 4'-0 fence.
- ④ Diameter equals 10" plus the outside diameter of the post.

INDIANA DEPARTMENT OF TRANSPORTATION

CHAIN LINK TYPE GATE

SEPTEMBER 2004

STANDARD DRAWING NO. E 603-CLTF-03



/s/ Richard L. VanCleave 9-01-04
DESIGN STANDARDS ENGINEER DATE

/s/ Richard K. Smutzer 9-01-04
CHIEF HIGHWAY ENGINEER DATE

DESIGN STANDARDS ENGINEER